



BMSA Footing Solutions

Safer | Faster | Cleaner | Greener

PRODUCT CATALOGUE



StumpRite

Adjustable Stump Tops and Connectors

SurePile

Portable Building Tie Downs



SUREFOOT™

CONCRETE FREE FOOTING SYSTEM

SureBlox

Concrete Block Tie Downs



ENGINEERS
AUSTRALIA

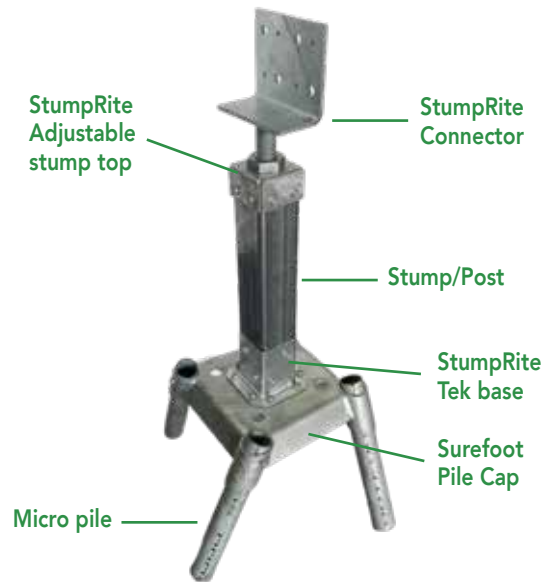


THE SUREFOOT PRINCIPLE

Surefoot's engineering principles are based on a combination of shallow and deep design methodology. It uses the theory of bearing capacity of a shallow foundation, plus the skin friction and toe resistance of a deep foundation in all soil types through a fully certified footing design. Micro piles are driven into the ground with a jackhammer. The footing has instant bearing capacity and does not disturb the ground, therefore affording tremendous efficiency of time, labour, material and project cost. Low cost, time saving, high strength & instant bearing capacity – Surefoot pile cap mimics a tree's root system through a series of steel micro piles in a battered array, resolving foundations at relatively shallow depths and efficient transfer of load and uplift forces with minimal soil disturbance.

SUREFOOT VS CONCRETE

	 SUREFOOT	CONCRETE
Fixed costs	YES	NO
Excavations required	NO	YES
Dirt or spoil removal off site or relocation on site	NO	YES
Engineering inspection required	NO	YES
Concrete pump required	NO	YES
Propping materials for setting up posts	NO	YES
Gravel for bottom of post holes	NO	YES
Instant bearing capacity of foundations so your works can continue same day	YES	NO
Workplace health & safety risk	LOW	HIGH
Total installation time	SHORT	LONG
Rain delays - post holes full of water	NO	YES
Number of trades and materials required to organise	2	UP TO 10
Access issues for machinery & materials	NO	YES
Environmentally friendly	YES	NO
Re establishment of landscape required	NO	YES
Adjustable in both plumb & level after your foundation is installed	YES	NO



SUREFOOT FOOTINGS ARE:

- High strength
- Simple
- Cost effective
- Quick to install
- Minimal soil and site disturbance
- Recyclable and reusable
- Suitable for large floor spans of up to 4m
- Suitable in cyclonic regions
- Ideal for remote areas and difficult terrain
- Backed by our technical support team
- Independently tested to ASTM piling standards
- Green solution for low carbon footing system
- Ability to support various types of loading such as compression, uplift, lateral loads and bending moments
- Suitable in any penetrable soil such as sand, silt, clay, fine gravels and even sedimentary rock

"Our aim is to educate all industries that there are safer, faster, cleaner and greener alternatives than using concrete."

S150

Bolting Pattern: 90mm x 4 x 14mm holes
Micro Piles: 4 x 25NB – 33.7 OD
Load Capacity: Up to 25kN
Average installation time: 10 mins approx



S250 – 4 way

Bolting Pattern: 140mm centres x 4 x 22mm holes
Micro Piles: 4 x 32NB – 42.4 OD
Load Capacity: Up to 100kN
Average installation time: 10 mins approx



OPTIONS



S250 - 2 Way



S250 - 3 Way



S250 - 4 Way

S250 – 6 way

Bolting Pattern: 140mm centres x 4 x 22mm holes
Micro Piles: 6 x 32NB – 42.4 OD
Load Capacity: Up to 195kN
Average installation time: 15 mins approx



S400

Bolting Pattern:

198 - 250 PCD x 4 x 22mm holes

300 - 350 PCD x 4 x 26mm holes

Micro Piles: 12 x 32NB – 42.4 OD

Load Capacity: Up to 300kN

Average installation time: 25–30 mins approx



S500

Bolting Pattern:

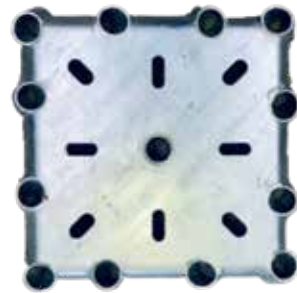
233-300 PCD x 4 x 22mm holes

350-400 PCD x 4 x 26mm holes

Micro Piles: 12 x 32NB – 42.4 OD

Load Capacity: Up to 300kN

Average installation time: 25–30 mins approx



S600

Bolting Pattern:

350 – 400 PCD x 4 x 26mm holes

432 – 500 PCD x 4 x 32mm holes

Micro Piles: 16 x 32NB – 42.4 OD

Load Capacity: Up to 360kN

Average installation time: 40 mins approx



Surefoot Micropiles



32NB HDG Grade
350 - Z500 (42.4OD)
Light, Medium,
Heavy



Jack Hammer
Driver 28mm Hex
For Hilti Machine



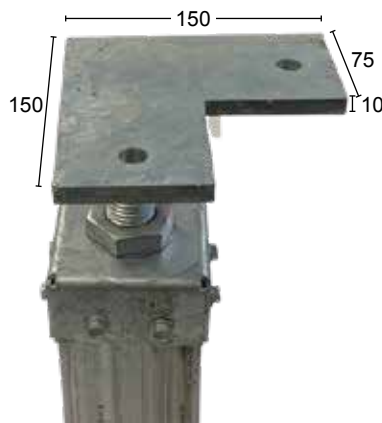
Jack Hammer
Driver Standard



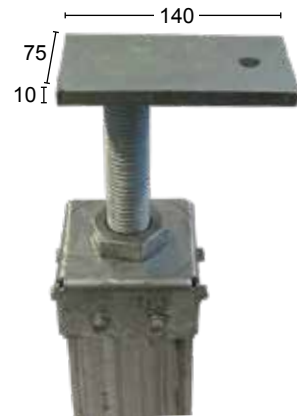
TOP PLATES



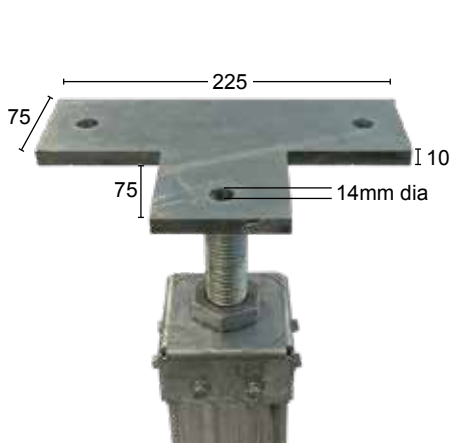
Straight Top



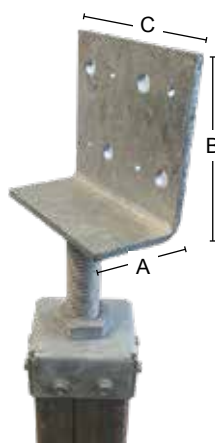
Corner Top



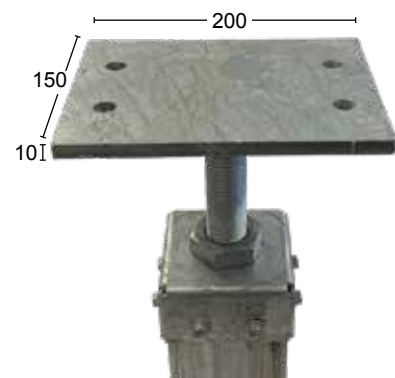
End Top



Tee Top



Vertical Top



Straight Large Top

	A	B	C	THICKNESS
SMALL	75	90	90	6
LARGE	75	125	140	6
XLARGE	85	220	200	6



ADJUSTABLE STUMP TOPS

*Available for 75, 89, 100 SHS



Screw On
Adjustable



Weld On Adjustable



Retro Fit

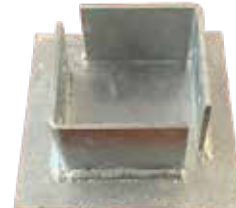
BASES



2 Hole Base Plate



4 Hole Base Plate



Cast In Base Plate

BRACING SYSTEMS

Can be used for:

- post-to-post connection
- post-to-bearer connection

The Full Cross Bracing Set is 3m long, but can be cut to suit your installation.

Longer length options available.

Bracing does not require any welding for installation.





MISCELLANEOUS



Guy Wire Plate



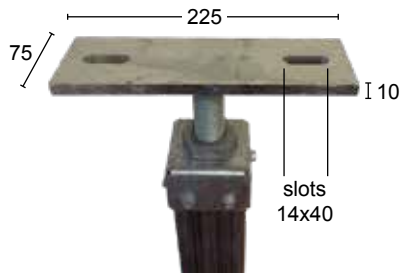
Fin Plate
* for timber posts



Complete Stumps
* made to order



Single Dog Clamp



Straight Slotted Top



Container Twistlock
Adjustable/Non-adjustable

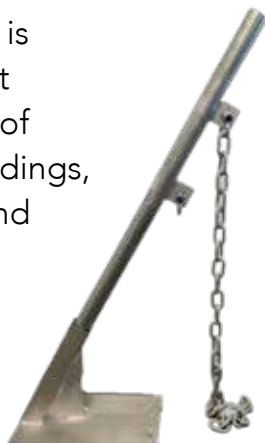


SurePile

Portable Building Tie Downs



The Surepile tie down is a fully engineered, fast and effective method of securing portable buildings, shipping containers and relocatable buildings against uplift forces in cyclonic conditions.



SureBlox

Concrete Block Tie Downs



W	D	L	Weight
600	600	600	0.5 T
600	600	1200	1.0 T
600	600	1800	1.5 T



BMSA Footings Solutions

Safer | Faster | Cleaner | Greener

4/22 Mavis Court, Ormeau, QLD, 4208 Phone 1300 809 565
info@bmsa.net.au www.bmsafootingsolutions.com.au